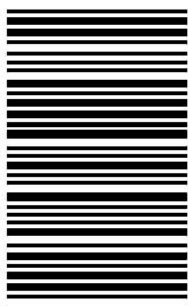


کد کنترل

524

E



524E

آزمون ورودی دوره‌های کارشناسی ارشد ناپیوسته داخل - سال ۱۴۰۱

صبح پنج‌شنبه

۱۴۰۱/۰۲/۲۹



«اگر دانشگاه اصلاح شود مملکت اصلاح می‌شود.»

امام خمینی (ره)

جمهوری اسلامی ایران
وزارت علوم، تحقیقات و فناوری
سازمان سنجش آموزش کشور

مهندسی مکانیک بیوسیستم (کد ۱۳۱۹)

زمان پاسخ‌گویی: ۱۶۵ دقیقه

تعداد سؤال: ۱۵۵

جدول مواد امتحانی، تعداد و شماره سؤال‌ها

ردیف	مواد امتحانی	تعداد سؤال	از شماره	تا شماره
۱	زبان عمومی و تخصصی (انگلیسی)	۳۰	۱	۳۰
۲	ریاضیات	۲۵	۳۱	۵۵
۳	استاتیک، دینامیک و مقاومت مصالح	۲۵	۵۶	۸۰
۴	طراحی اجزاء ماشین و طراحی ماشین‌های کشاورزی	۲۵	۸۱	۱۰۵
۵	مکانیک سیالات و ترمودینامیک	۲۵	۱۰۶	۱۳۰
۶	ابزار اندازه‌گیری	۲۵	۱۳۱	۱۵۵

این آزمون نمره منفی دارد.

استفاده از ماشین حساب مجاز نیست.

حق چاپ، تکثیر و انتشار سؤال‌ها به هر روش (الکترونیکی و...) پس از برگزاری آزمون، برای همه اشخاص حقیقی و حقوقی تنها با مجوز این سازمان مجاز می‌باشد و با متخلفان برابر مقررات رفتار می‌شود.

* متقاضی گرامی، وارد نکردن مشخصات و امضا در کادر زیر، به منزله غیبت و حضور نداشتن در جلسه آزمون است.

اینجانب با شماره داوطلبی با آگاهی کامل، یکسان بودن شماره صندلی خود را با شماره داوطلبی مندرج در بالای کارت ورود به جلسه، بالای پاسخنامه و دفترچه سؤالها، نوع و کد کنترل درج شده بر روی دفترچه سؤالها و پایین پاسخنامه را تأیید می‌نمایم.

امضا:

زبان عمومی و تخصصی (انگلیسی):

PART A: Vocabulary

Directions: Choose the word or the phrase (1), (2), (3), or (4) that best completes the blank. Then mark the correct choice on your answer sheet.

- 1- The rising death toll is ----- largely to the growing number of elderly people, who are especially vulnerable to the flu.
1) attributed 2) converted 3) debilitated 4) transferred
- 2- The couple were finally ----- by the landlord after not paying their rent for six months.
1) extended 2) elicited 3) evicted 4) evacuated
- 3- We have a ----- clientele in our language program, with students from Asia, Europe and South America.
1) complex 2) diverse 3) symmetrical 4) haphazard
- 4- But the possibility of these adversaries acting like friends, despite their long-standing ----- and mutual dislike, is on the horizon.
1) rivalry 2) advocacy 3) inclination 4) justification
- 5- Debating that aliens exist cannot be deemed an ----- truth as we have yet to see proof of their existence.
1) unintelligible 2) insensitive 3) unforeseeable 4) incontrovertible
- 6- The girls wanted to set the table, but they were more of a ----- than a help.
1) compliment 2) hindrance 3) thrill 4) pretension
- 7- The government is to consult the attorney general on whether the enacting of such a law would be in ----- of the constitution.
1) provenance 2) rationalization 3) breach 4) caprice
- 8- Someone once joked that man blames most accidents on -----, but feels a more personal responsibility when he makes a hole-in-one on the golf course.
1) legality 2) verdict 3) charge 4) fate
- 9- The trial collapsed when it became clear that the main witness for the prosecution was not -----.
1) credible 2) singular 3) subjective 4) conjectural
- 10- The rising number of minority inmates in prison only goes to ----- the stereotype that members of minority groups are bad people.
1) overlook 2) downplay 3) belie 4) perpetuate

PART B: Cloze Passage

Directions: Read the following passage and decide which choice (1), (2), (3), or (4) best fits each space. Then mark the correct choice on your answer sheet.

Fuel cell electric vehicles emit only water vapor and warm air, (11) ----- no tailpipe emissions. Similar to electricity, hydrogen is an energy carrier that can be produced from various feedstocks. These feedstocks and production methods should be considered when (12) -----.

Argonne National Laboratory's (ANL) report, *Fuel Choices for Fuel Cell Vehicles: Well-to-Wheels Energy and Emission Impacts*, analyzed greenhouse gas (GHG) (13) ----- 10 of the most common hydrogen production and distribution pathways. ANL found that gaseous hydrogen produces (14) ----- GHGs than liquid hydrogen in most cases. ANL also investigated hydrogen's effects on petroleum use and found that using hydrogen as a fuel (15) ----- petroleum use by nearly %100 regardless of fuel production pathway.

- | | | | | |
|-----|-----------------------------------|----------------------------------|---------------------------------------|---------------------------------|
| 11- | 1) produce | 2) that produces | 3) to produce | 4) producing |
| 12- | 1) to evaluate hydrogen emissions | 2) evaluating hydrogen emissions | 3) for hydrogen emissions to evaluate | 4) hydrogen emissions evaluated |
| 13- | 1) emissions for | 2) it is emitted as | 3) is emitted for | 4) to be emitted |
| 14- | 1) less of | 2) as little | 3) fewer | 4) fewer of |
| 15- | 1) reduction | 2) reduced | 3) that reduces | 4) to reduce |

PART C: Reading Comprehension

Directions: Read the following three passages and answer the questions by choosing the best choice (1), (2), (3), or (4). Then mark the correct choice on your answer sheet.

PASSAGE 1:

Low-calorie rare sugars, which are defined as monosaccharides that rarely exist in nature, have attracted attention for their application in the food, pharmaceutical, medicine, synthetic chemistry, and pest control industries. D-Allulose (also called D-psicose) is a low-calorie functional rare sugar. It exists in small amounts as a free sugar in agricultural products and as a nonfermentable component of commercial foodstuffs. It has 70% relative sweetness and only 10% of the calories of sucrose, and it is considered an ideal substitute for sucrose and high fructose corn syrup. It has been granted permission as a food additive in a series of foods and dietary supplements, such as ice cream, chocolate, and sauce; thus, showing its high promising market potential. In addition to food additives, it also has distinctive physicochemical properties and physiological functions, such as antihyperlipidemic effects, antihyperglycemic effects, anti-inflammatory effects, neuroprotective effects, reactive oxygen species (ROS) scavenging activity, and therapeutic effects against atherosclerosis. Moreover, this rare sugar can enhance gel strength, decrease the oxidation extent, and improve flavor during food processing. In recent years, efforts

have been made to the biosynthesis of D-Allulose from fructose based on the Izumoring isomerization strategy. Fructose can be produced from widespread and low-cost starch and sugar 3-epimerases, including D-psicose 3-epimerase family enzymes, D-tagatose 3-epimerase family enzymes, and L-ribulose 3-epimerase family enzymes, which can be found in many microorganisms using bioinformatics tools. Thus, D-allulose is the most accessible rare sugar. The Gibbs energy change of converting fructose to D-Allulose indicates the fact that approximately 50% of fructose can be converted to D-Allulose, although the actual value is lower than 40%. Several approaches have been applied to improve the conversion of fructose to D-Allulose, such as the addition of borate to break the reaction equilibrium and separation by Simulated Moving Bed chromatography (SMB). Nevertheless, these processes suffer from complicated product separation and excessive equipment investment, resulting in the high production cost of D-Allulose. Therefore, it is of great interest to develop a highly efficient and low-cost green biomanufacturing method for D-Allulose production.

- 16- What is the main purpose of this passage?**
- 1) To explain about fructose
 - 2) To explain about a biomanufacturing method
 - 3) To explain about low-calorie rare sugars
 - 4) To explain about D-psicose
- 17- According to the passage, all the following statements are true EXCEPT -----.**
- 1) Low-calorie rare sugars have applications in the food, pharmaceutical, medicine, synthetic chemistry, and pest control industries
 - 2) Several low-cost green biomanufacturing methods for D-Allulose production have been developed in recent years
 - 3) The addition of borate to break the reaction equilibrium and separation by SMB chromatography can be used to improve the conversion of fructose to D-Allulose
 - 4) D-Allulose exists in small amounts as a free sugar in agricultural products and as a nonfermentable component of commercial foodstuffs
- 18- According to the passage, fructose can be produced from all the followings EXCEPT -----.**
- 1) sugar 3-epimerases found in many macroorganisms
 - 2) D-tagatose 3-epimerase family enzymes
 - 3) L-ribulose 3-epimerase family enzymes
 - 4) widespread and low-cost starch and sugar 3-epimerases
- 19- According to the passage, all the followings are among the properties and functions of D-Allulose EXCEPT -----.**
- 1) antihyperlipidemic effects and anti-inflammatory effects
 - 2) antihyperglycemic effects and neuroprotective effects
 - 3) anti-inflammatory effects and therapeutic effects
 - 4) neuroprotective effects and antiviral effects
- 20- The word 'excessive' in the passage (underlined) is closest in meaning to -----.**
- 1) undyed
 - 2) undue
 - 3) uncial
 - 4) uneven

PASSAGE 2:

With the increasing concern on undesirable environmental and socioeconomic consequences of petrochemicals and limited fossil resources, there is a significant interest in using natural biomass as raw resources for chemical, polymer, and material development. Moreover, many sustainable polymeric materials possess commendable biocompatibility, which could bring additional benefits for expanded applications. Polymers have tremendously transformed almost every aspect of our daily life. Sustainable polymers are classified into two major categories: natural polymers and synthetic biobased polymers. Natural polymers, such as cellulose, lignin, hemicellulose, starch, protein, and modified biopolymers have been widely consumed for the preparation of bioplastics and composites and also for other applications. Synthetic biobased polymers can be derived from a variety of molecular biomass such as plant oils, fatty acids, furan, terpenes, rosin acids, and amino acids. It is worth noting that sustainable polymers are not necessarily biodegradable. On the contrary, most of them do not biodegrade. The use of sustainable polymers can avoid the dependence on petroleum resources and reduce carbon emissions. Different from carbon-carbon and carbon-hydrogen bond-based petrochemical feedstocks, a variety of natural biomass possess chemical structures such as carbon-oxygen bonds that are not economical to produce from fossil feedstocks. These unique chemical structures could be used as new platforms to design functional and readily compostable polymers bearing new and improved properties. However, there are many hurdles, including cost, environmental impact, and thermomechanical performance to be overcome before sustainable polymers will have more substantial economic impact. Significant progress has been made in the area of sustainable chemistry to transform biomass into polymers. Molecular biomass can be well utilized toward biobased polymers in a way similar to the highly successful molecular engineering of petrochemicals. However, a key challenge is the realization of materials with comparable or even improved properties in terms of sustainability and economics. Processing can actually play an important role to significantly increase efficient material properties.

21- According to the passage, all the following statements are true EXCEPT -----.

- 1) Polymers have transformed almost all the aspects of our life, and sustainable polymers are biodegradable
- 2) Sustainable polymers are categorized into two main groups: natural polymers and synthetic biobased polymers
- 3) Natural polymers have been widely consumed for the preparation of bioplastics and composites and also for other applications
- 4) Many sustainable polymeric materials possess commendable biocompatibility, which could bring additional benefits for expanded applications

22- According to the passage, all the followings are instances of natural polymers EXCEPT -----.

- | | |
|--------------------------------|-------------------------|
| 1) cellulose and hemicellulose | 2) lignin and protein |
| 3) lignin and composite | 4) cellulose and starch |

- 23- According to the passage, all the following statements are true EXCEPT -----.
- 1) The use of sustainable polymers can avoid the dependence on petroleum resources and enhance carbon emissions
 - 2) Molecular biomass can be utilized toward biobased polymers in a way similar to the successful molecular engineering of petrochemicals
 - 3) Significant progress has been made in the area of sustainable chemistry to transform biomass into polymers
 - 4) Synthetic biobased polymers are derived from molecular biomass such as plant oils, fatty acids, furan, terpenes, rosin acids, and amino acids
- 24- The passage probably continues with a sentence about -----.
- 1) platforms to design compostable polymers
 - 2) the economic impact of sustainable polymers
 - 3) the specific role of processing in the improvement of material properties
 - 4) carbon-carbon and carbon-hydrogen bond-based petrochemical feedstocks
- 25- The word 'hurdle' in the passage (underlined) is closest in meaning to -----.
- 1) assumption
 - 2) compilation
 - 3) obstruction
 - 4) speculation

PASSAGE 3:

Light is the driving source of the Earth. The well-developed biosphere is built based on the diverse conversion forms of solar energy, in which light-harvesting process and catalytic behavior play critical roles. In microorganisms, multifarious enzymes activated by light enormously accelerate chemical reactions that have motivated great interests in designing highly efficient hybrid systems of enzymes and nano photo-sensitizers. Incorporating nano photo-sensitizers with microorganisms has recently been recognized as an effective way to convert light energy into chemical energy. The precipitation of nano photo-sensitizers in microorganisms provides an ideal platform to construct intracellular hybrid biosystems, where the photo-sensitizers and inherit enzymes as well as cytoplasm substances can be synergistically engaged in the photo-catalytic process. Of particular interest is the intracellular synthesis of semiconducting nanoparticles in microorganisms, owing to their superior light adsorption capability. The synthesized nano-particles have great stability in the intracellular environment, and can tolerate harsh conditions. Integrating a photo-sensitizer into *T. pyriformis* enables the photo-sensitizer, inherent nitroreductase, and the cytoplasmic reductive substance in *T. pyriformis* to synergistically engage in the photo-catalysis process, generating a greatly enhanced aniline yield with a 40-fold increment. Moreover, building an intracellular hybrid biosystem in mutant *T. pyriformis* can even grant it new capability of reducing nitrobenzene into aniline under visible-light irradiation. Such hybrid biosystem paves a new way to functionalize microorganisms and diversify light energy conversion in higher organisms.

- 26- According to the passage, all the following statements are true EXCEPT -----.
- 1) Incorporating nano photo-sensitizers with microorganisms is an effective way to convert light energy into chemical energy
 - 2) The precipitation of nano photo-sensitizers in microorganisms provides an ideal platform to construct intracellular hybrid biosystems
 - 3) The synthesized nano-particles have great stability in the intracellular environment, and can tolerate harsh conditions
 - 4) Building an intercellular hybrid biosystem in mutant T. pyriformis can grant it new capability of reducing nitrobenzene into aniline
- 27- What is the main purpose of this passage?
- 1) To explain about nano photo-sensitizers
 - 2) To explain about converting light energy
 - 3) To explain about light as a driving source
 - 4) To explain about hybrid biosystems
- 28- The word 'multifarious' in the passage (underlined) is closest in meaning to -----.
- 1) superstitious
 - 2) tedious
 - 3) ferocious
 - 4) various
- 29- The word 'conversion' in the passage (underlined) is closest in meaning to -----.
- 1) vascularization
 - 2) differentiation
 - 3) transformation
 - 4) instrumentation
- 30- The word 'which' in the passage (underlined) refers to -----.
- 1) driving source
 - 2) conversion forms
 - 3) well-developed biosphere
 - 4) solar energy

ریاضیات:

۳۱- کدام یک از توابع در $x=1$ ، دارای حد دوطرفه است؟

$$y = \frac{1}{[x]-1} \quad (2) \quad y = \sqrt{x-1} \quad (1)$$

$$y = \frac{x-1}{x^2-1} \quad (4) \quad y = \frac{1}{x-1} \quad (3)$$

۳۲- حد راست عبارت $[4x+1]$ از حد چپ آن در نقطه $x = -\frac{1}{4}$ ، چقدر بیشتر است؟ ([] نماد جزء صحیح است)

$$\frac{1}{4} \quad (2) \quad \text{صفر} \quad (1)$$

$$1 \quad (4) \quad \frac{1}{2} \quad (3)$$

۳۳- اگر داشته باشیم $5 = \cosh 2x + \sinh 2x$ ، آنگاه x برابر کدام است؟

$$x = \ln\left(\frac{4}{3}\right) \quad (2) \quad x = \frac{1}{2} \ln\left(\frac{4}{3}\right) \quad (1)$$

$$x = \ln\left(\frac{3}{4}\right) \quad (4) \quad x = \frac{1}{2} \ln\left(\frac{3}{4}\right) \quad (3)$$

۳۴- سطح محصور به منحنی $y = \frac{1}{1+3x^2}$ و محور xها در بازه $[0, 1]$ چقدر است؟

(۱) $\frac{\pi}{9}$

(۲) $\frac{9}{\sqrt{3}}\pi$

(۳) $\frac{\pi}{3}$

(۴) $\frac{\sqrt{3}\pi}{9}$

۳۵- حجم دوار حاصل از دوران ناحیه محصور بین دو منحنی $f(x) = x$ و $g(x) = \frac{1}{x}$ حول محور xها در بازه $[1, 4]$ چقدر است؟

چقدر است؟

(۲) $\frac{4}{81}\pi$

(۱) $\frac{2}{81}\pi$

(۴) $\frac{81}{4}\pi$

(۳) $\frac{81}{2}\pi$

۳۶- فرض استوانه‌ای دارای حجم ثابت باشد، ولی شعاع آن تغییر می‌کند (ارتفاع آن نیز حتماً تغییر می‌کند). نرخ تغییرات ارتفاع نسبت به شعاع کدام است؟

(۲) $-\frac{h}{r}$

(۱) $-\frac{2h}{r}$

(۴) $\frac{h}{r}$

(۳) $\frac{2h}{r}$

۳۷- اگر درجه حرارت یک صفحه فلزی مطابق رویه $T(x, y) = 20 - 4x^2 - y^2$ تغییر کند، که در آن x و y برحسب سانتی‌متر و T برحسب درجه سانتی‌گراد است. از نقطه $(\frac{1}{2}, 1)$ حداکثر نرخ افزایش برحسب درجه در هر سانتی‌متر برابر کدام است؟

(۱) $-\sqrt{20}$

(۲) $-\sqrt{10}$

(۳) $\sqrt{10}$

(۴) $\sqrt{20}$

۳۸- یک هواپیما در راستای خطی که با سطح افق زاویه 60° درجه می‌سازد با سرعت 400 کیلومتر بر ساعت از زمین بلند می‌شود. نرخ تغییرات ارتفاع هواپیما (کیلومتر بر ساعت) برابر کدام است؟

(۱) $300\sqrt{2}$

(۲) $200\sqrt{3}$

(۳) $200\sqrt{3}$

(۴) $300\sqrt{2}$

۳۹- مکان هندسی تمام z های مختلط در رابطه $\left|3 + \frac{1}{z}\right| > \left|1 - \frac{1}{z}\right|$ ، کدام گزینه است؟

(۱) در دایره‌ای به مرکز $\left(0, -\frac{1}{2}\right)$ و شعاع ۱

(۲) در دایره‌ای به مرکز $\left(0, -\frac{1}{2}\right)$ و شعاع $\frac{1}{2}$

(۳) در دایره‌ای به مرکز $\left(-\frac{1}{2}, 0\right)$ و شعاع $\frac{1}{2}$

(۴) در دایره‌ای به مرکز $\left(\frac{1}{2}, 0\right)$ و شعاع ۱

۴۰- مساحت یکی از برگ‌های رز چهار پر $r = \sin 2\theta$ برابر کدام است؟

(۱) π

(۲) $\frac{\pi}{2}$

(۳) $\frac{\pi}{4}$

(۴) $\frac{\pi}{8}$

۴۱- مقدار متوسط $f(x, y) = \frac{1}{4}xy$ در ناحیه مستطیلی $0 \leq x \leq 4$ و $0 \leq y \leq 3$ چقدر است؟

(۱) ۱۸

(۲) -۱۸

(۳) $\frac{1}{8}$

(۴) $-\frac{1}{8}$

۴۲- جواب عمومی معادله $e^{-2x}y^2 - 2y'^2 + 2yy'' = 0$ کدام گزینه است؟

(۱) $y = ke^{-\frac{1}{\lambda}e^x + c_1x}$

(۲) $y = ke^{-\frac{1}{\lambda}e^{2x} + c_1x}$

(۳) $y = ke^{-\frac{1}{\lambda}e^{-2x} + c_1x}$

(۴) $y = ke^{-\frac{1}{\lambda}e^{-x} + c_1x}$

۴۳- حاصل حل معادله دیفرانسیل $y' = (x+y-1)^2 + 2(x+y-1)$ کدام گزینه است؟

(۱) $y = x + \frac{1}{x+c}$

(۲) $y = x - \frac{1}{x+c}$

(۳) $y = -x - \frac{1}{x+c}$

(۴) $y = -x + \frac{1}{x+c}$

۴۴- رابطه $y = ce^{-kx} + 1$ ، جواب عمومی کدام معادله دیفرانسیل است؟

(۱) $y^{\prime\prime} - yy'' = -y''$

(۲) $y^{\prime\prime} - yy' = -y''$

(۳) $y^{\prime\prime} - yy' = y''$

(۴) $y^{\prime\prime} - yy'' = y''$

۴۵- رابطه $y = \text{Ln}(\sin(x - c_1)) + c_2$ جواب عمومی کدام معادله دیفرانسیل است؟ (c_1 و c_2 دو ثابت دلخواه هستند).

$$(1) \quad y'' = -(1 - y'^2)$$

$$(2) \quad y'' = -(1 + y'^2)$$

$$(3) \quad y'' = 1 + y'^2$$

$$(4) \quad y'' = 1 - y'^2$$

۴۶- جرم لایه نازکی با چگالی سطحی $\delta = 2y + 1$ که به سه خط $y = 2x$, $y = -2x$, و $y = 2$ محدود است، کدام گزینه است؟

$$(1) \quad \frac{9}{3}$$

$$(2) \quad \frac{11}{3}$$

$$(3) \quad \frac{19}{3}$$

$$(4) \quad \frac{22}{3}$$

۴۷- معادله صفحه مماس بر رویه $\sqrt{x} + e^x \cos y = 1 + ze^x$ ، در نقطه $(1, \pi, -1)$ کدام گزینه است؟

$$(1) \quad -\frac{1}{2}x - ez = \frac{1}{2} + e$$

$$(2) \quad \frac{1}{2}x + ez = \frac{1}{2} + e$$

$$(3) \quad -\frac{1}{2}x + ez = \frac{1}{2} + e$$

$$(4) \quad \frac{1}{2}x - ez = \frac{1}{2} + e$$

۴۸- وضعیت پیوستگی تابع زیر کدام است؟

$$f(x, y) = \begin{cases} \frac{\sin^2(x - y)}{|x| + |y|} & (x, y) \neq (0, 0) \\ 0 & x = y = 0 \end{cases}$$

(۱) مقدار در مبدأ پیوسته است.

(۲) مقدار در مبدأ ناموجود است.

(۳) مقدار در مبدأ ناپیوسته است.

(۴) هیچ کدام

۴۹- نوع ماتریس $A = \begin{bmatrix} 3 & -1 & 1 \\ -1 & 5 & -1 \\ 1 & -1 & 3 \end{bmatrix}$ کدام است؟

(۱) منفی نامعین

(۲) مثبت نامعین

(۳) مثبت معین

(۴) منفی معین

۵۰- برای ماتریس $\begin{bmatrix} 2 & 4 \\ 1 & 5 \end{bmatrix}$ ، مقدار ویژه چقدر است؟

(۱) ۱، ۰

(۲) ۶، ۰

(۳) ۶، ۱

(۴) ۶، ۲

۵۱- رتبه ماتریس $\begin{bmatrix} 3 & 5 & 7 \\ 1 & 2 & 3 \\ 1 & 3 & 5 \end{bmatrix}$ چقدر است؟

- (۱) صفر
(۲) ۱
(۳) ۲
(۴) ۳

۵۲- سری مکلورن تابع $f(x) = \cos x^2$ ، کدام گزینه است؟

$$(1) 1 - \frac{x^4}{2!} + \frac{x^8}{4!} - \frac{x^{12}}{6!}$$

$$(2) 1 + \frac{x^4}{2!} - \frac{x^8}{4!} + \frac{x^{12}}{6!}$$

$$(3) 1 - \frac{x^2}{2!} + \frac{x^4}{4!} - \frac{x^6}{6!}$$

$$(4) 1 + \frac{x^2}{2!} - \frac{x^4}{4!} + \frac{x^6}{6!}$$

۵۳- حاصل انتگرال $\int \frac{dx}{\sqrt{x^2 - a^2}}$ ، کدام گزینه است؟

$$(1) \cos\left(\frac{x}{a}\right) + c$$

$$(2) \cos^{-1}\left(\frac{x}{a}\right) + c$$

$$(3) \cosh\left(\frac{x}{a}\right) + c$$

$$(4) \cosh^{-1}\left(\frac{x}{a}\right) + c$$

۵۴- انتگرال تابع $x^x(1 + \ln x)dx$ ، کدام است؟

$$(1) x^x$$

$$(2) x^{\ln x}$$

$$(3) \ln x^x$$

$$(4) x^{-x}$$

۵۵- مشتق تابع $f(x) = x^4 - \frac{1}{x^4} - \sqrt{3}$ و $x=1$ کدام است؟

$$(1) -4$$

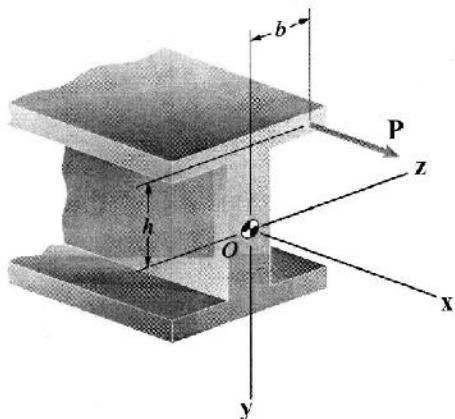
$$(2) \text{صفر}$$

$$(3) 4$$

$$(4) 8$$

استاتیک، دینامیک و مقاومت مصالح:

۵۶- نیروی محوری P به تیر زیر وارد می‌شود. اگر نیروی P با یک نیروی معادل F وارده بر نقطه O و گشتاور M جایگزین شود، بردار گشتاور M کدام است؟



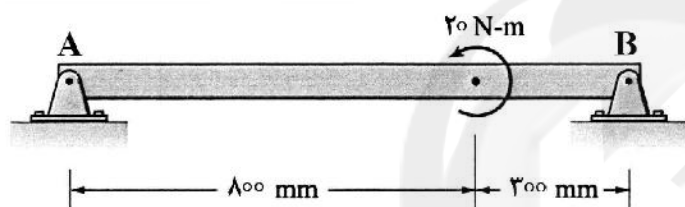
$$(1) -bP\vec{j} + hP\vec{k}$$

$$(2) bP\vec{j} + hP\vec{k}$$

$$(3) -bP\vec{j} - hP\vec{k}$$

$$(4) bP\vec{j} - hP\vec{k}$$

۵۷- در تیر نشان داده شده، مؤلفه عمودی نیروی تکیه‌گاه B چند نیوتن است؟



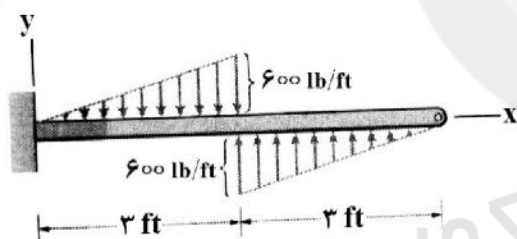
$$(1) 18/18$$

$$(2) 20$$

$$(3) 21$$

(4) غیرقابل تعیین است.

۵۸- نیروی برشی در وسط تیر نشان داده شده چند پوند است؟



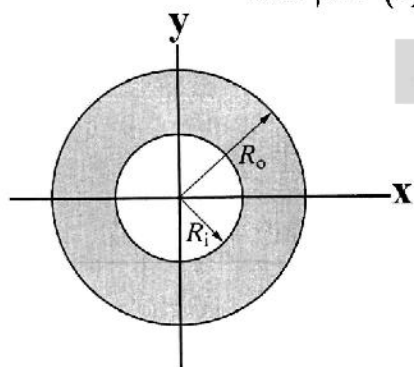
$$(1) 300$$

$$(2) 450$$

$$(3) 900$$

$$(4) 1800$$

۵۹- در رینگ دایره‌ای نشان داده شده، ممان اینرسی نسبت به محور x (I_x) کدام است؟



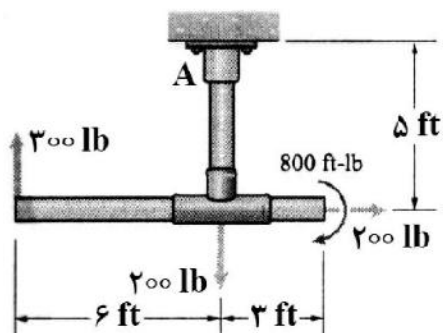
$$(1) \frac{1}{16} \pi (R_o^4 - R_i^4)$$

$$(2) \frac{1}{4} \pi (R_o^4 - R_i^4)$$

$$(3) \frac{1}{2} \pi (R_o^4 - R_i^4)$$

$$(4) \frac{1}{8} \pi (R_o^4 - R_i^4)$$

۶۰- در شکل نشان داده شده، گشتاور تکیه‌گاهی در تکیه‌گاه گیردار A چند پوند فوت است؟



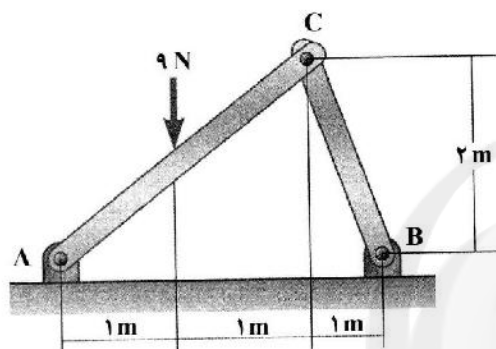
(۱) ۴۰۰

(۲) ۸۰۰

(۳) ۱۶۰۰

(۴) ۳۲۰۰

۶۱- مقدار عکس‌العمل افقی در تکیه‌گاه A چند نیوتن است؟



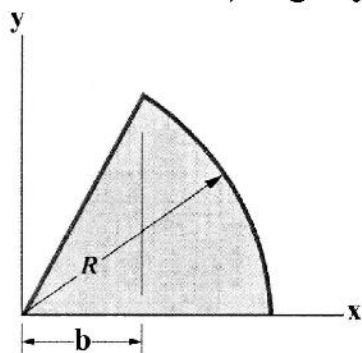
(۱) ۱/۵

(۲) ۳

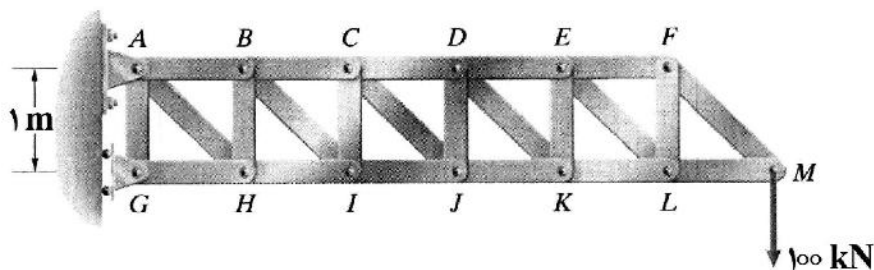
(۳) ۴/۵

(۴) ۶

۶۲- در شکل نشان داده شده، $R = 6$ و $b = 3$ متر می‌باشد. مقدار مؤلفه y مرکز سطح کدام است؟

(۱) $\frac{6}{\pi}$ (۲) $\frac{8}{\pi}$ (۳) $\frac{9}{\pi}$ (۴) $\frac{12}{\pi}$

۶۳- در خرابی نشان داده شده، مقدار نیروی محوری عضو HI چند کیلونیوتن است؟ (طول همه اعضای عمودی و افقی برابر ۱ متر می‌باشد.)



(۱) ۲۰۰ کششی

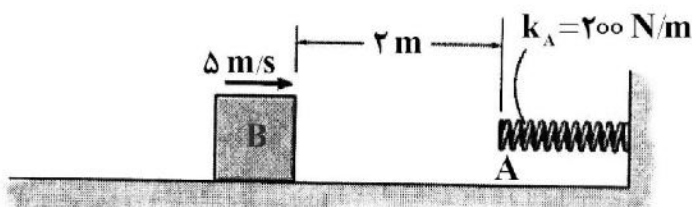
(۲) ۲۰۰ فشاری

(۳) ۵۰۰ کششی

(۴) ۵۰۰ فشاری

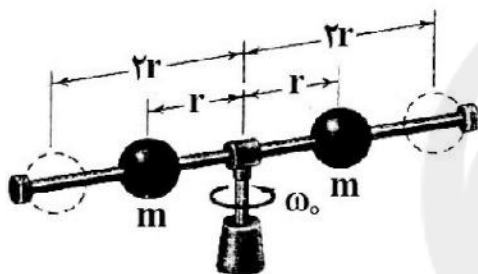
۶۴- بلوک ۸ کیلوگرمی با سرعت اولیه $5 \frac{m}{s}$ حرکت می‌کند. اگر ضریب اصطکاک سینتیکی بین بلوک و صفحه

$\mu_k = 0.25$ باشد، مقدار جمع شدن فنر وقتی که بلوک متوقف می‌شود، چند متر است؟ $(g = 10 \frac{m}{s^2})$



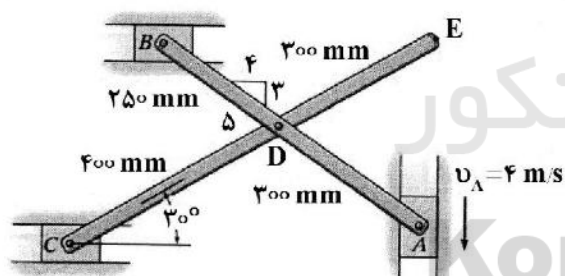
- (۱) ۰/۵۶
 (۲) ۰/۶
 (۳) ۰/۶۸
 (۴) ۰/۷۵

۶۵- دو کره با جرم برابر m می‌توانند روی میله چرخان افقی مطابق شکل بلغزند. اگر کره‌ها در ابتدا در نقطه‌ای به فاصله r از محور دوار توسط پینی به میله متصل شده باشند و محور دوار با سرعت ω_0 بچرخد، سرعت زاویه‌ای جدید ω پس از پین و رهاسازی کره‌ها و رسیدن آنها به انتهای میله که در فاصله $2r$ از محور قرار دارد، چقدر است؟ (از جرم میله و محور صرف‌نظر کنید.)



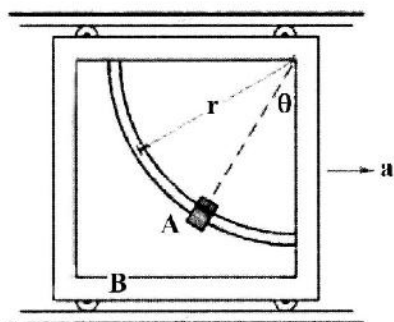
- (۱) $2\omega_0$
 (۲) $\frac{\omega_0}{4}$
 (۳) ω_0
 (۴) $\frac{\omega_0}{2}$

۶۶- اگر لغزنده A با سرعت $V_A = 4 \frac{m}{s}$ به طرف پایین حرکت کند، سرعت لغزنده B (V_B) چند متر بر ثانیه است؟



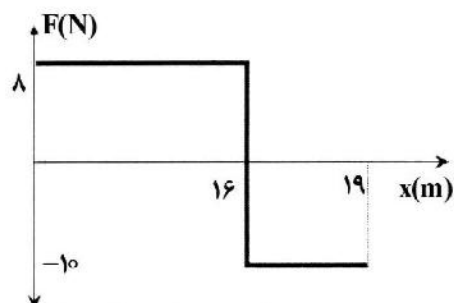
- (۱) ۱
 (۲) ۲
 (۳) ۳
 (۴) ۴

۶۷- مهره A مطابق شکل روی ریلی به شعاع r آزادانه و بدون اصطکاک حرکت می‌کند. اگر کل مجموعه با شتاب a حرکت کند، زاویه قرارگیری A در روی ریل (θ) برحسب r ، a و g چقدر است؟



- (۱) $\arctan \frac{g}{r}$
 (۲) $\arctan \frac{ra}{g}$
 (۳) $a \times \arctan \frac{r}{g}$
 (۴) $\arctan \frac{a}{g}$

۶۸- نمودار نیرو - تغییر مکان جسمی به جرم ۴ kg که از حالت سکون حرکت می‌کند، مطابق شکل زیر می‌باشد.



سرعت جسم در انتهای مسیر چند متر بر ثانیه است؟

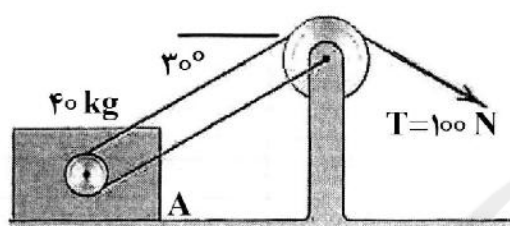
(۱) ۳

(۲) ۵

(۳) ۷

(۴) ۹

۶۹- در سیستم نشان داده شده مقدار ضریب اصطکاک بین جعبه A و زمین چقدر باشد، تا جسم A در آستانه حرکت



شود؟ $(g = 10 \frac{\text{m}}{\text{s}^2})$

(۱) $\frac{\sqrt{3}}{2}$

(۲) $\frac{\sqrt{3}}{2}$

(۳) $\frac{1}{2}$

(۴) $\frac{\sqrt{3}}{6}$

۷۰- توپی با سرعت ۴ متر بر ثانیه با زاویه 30° درجه نسبت به افق پرتاب می‌شود. در صورتی که $g = 10 \frac{\text{m}}{\text{s}^2}$ در نظر

گرفته شود، بیشترین ارتفاعی که توپ بالا می‌رود، چند سانتی‌متر است؟

(۱) ۱۰

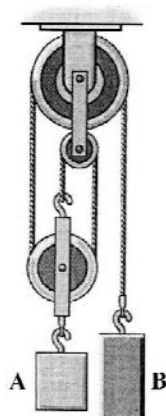
(۲) ۲۰

(۳) ۳۰

(۴) ۴۰

۷۱- در شکل نشان داده شده بلوک‌های A و B به ترتیب دارای جرم 20 و 30 کیلوگرم می‌باشند. در صورتی که سرعت

بلوک A برابر $0.1 \frac{\text{m}}{\text{s}}$ به سمت پایین باشد، سرعت بلوک B چند متر بر ثانیه است؟



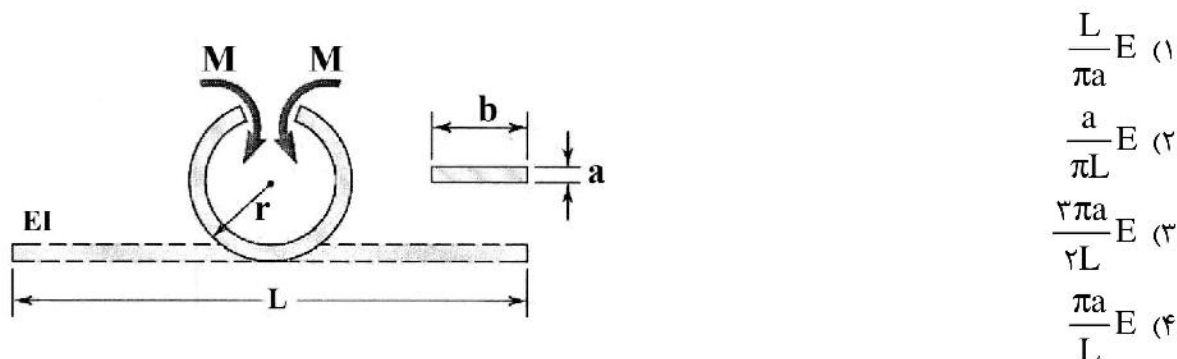
(۱) $V_B = 0.3 \uparrow$

(۲) $V_B = 0.3 \downarrow$

(۳) $V_B = 0.2 \uparrow$

(۴) $V_B = 0.1 \uparrow$

۷۲- تیری مطابق شکل محدوده الاستیک به شکل دایره خم شده است. بیشینه تنش وارده به این تیر چقدر است؟

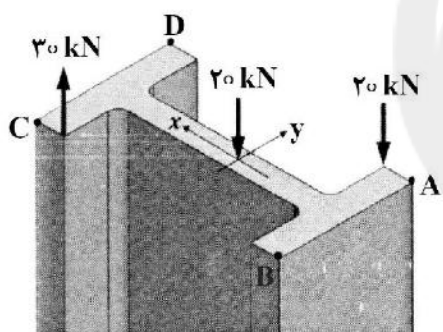


۷۳- در یک تیر یک سر گیردار که تحت تأثیر وزن خود است، اگر همه ابعاد سطح مقطع ۲ برابر و طول نصف شود، شعاع انحنای در B چند برابر خواهد شد؟



- (۱) ۱
(۲) ۴
(۳) ۸
(۴) ۱۶

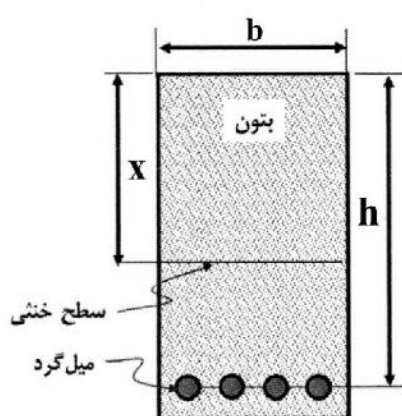
۷۴- برای بارگذاری نشان داده شده کدام نقطه تحت بیشینه قرار دارد؟



- (۱) A
(۲) B
(۳) C
(۴) D

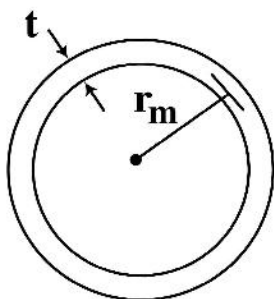
۷۵- در بتونی مسلح و متوازن شده (طراحی بهینه) اگر نسبت تنش مجاز فولاد به بتون برابر $\frac{\sigma_s}{\sigma_c} = m$ و نسبت صلابت

کششی بتون به فولاد برابر $\frac{E_s}{E_c} = n$ باشد، نسبت ارتفاع مؤثر به ارتفاع تحت فشار بتون $\left(\frac{h}{x}\right)$ چقدر است؟



- (۱) $1 + \frac{m}{n}$
(۲) $1 - \frac{m}{n}$
(۳) $1 + \frac{n}{m}$
(۴) $1 - \frac{m}{n}$

۷۶- اگر به تیر با مقطع نشان داده شده، نیروی برشی عمودی V اعمال شود، تنش برشی بیشینه راستای افق چقدر است؟



$$\tau_{\max} = \frac{V}{2\pi r_m t} \quad (1)$$

$$\tau_{\max} = \frac{V}{\frac{1}{2}\pi r_m t} \quad (2)$$

$$\tau_{\max} = \frac{V}{2\pi r_m t} \quad (3)$$

$$\tau_{\max} = \frac{V}{\pi r_m t} \quad (4)$$

۷۷- حالت تنش برای یک المان به صورت $\sigma = \begin{bmatrix} 100 & 100 & 100 \\ 100 & 100 & 100 \\ 100 & 100 & 100 \end{bmatrix}$ MPa است. تنش‌های اصلی برحسب MPa به ترتیب

$$300, 0, 0 \quad (2)$$

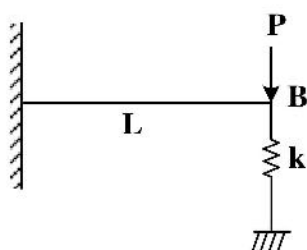
$$200, 0, 200 \quad (4)$$

از راست به چپ چقدر است؟

$$-100, 100, 100 \quad (1)$$

$$200, 100, 100 \quad (3)$$

۷۸- جابه‌جایی نقطه B (در راستای عمودی) در تیر نشان داده شده با مقطع یکنواخت کدام گزینه است؟



$$\frac{PL^3}{2EI + kL^3} \quad (1)$$

$$\frac{P}{k} \quad (2)$$

$$\frac{PL^3}{2EI} \quad (3)$$

$$\frac{kL^3 + EI}{PL} \quad (4)$$

۷۹- در یک مخزن استوانه‌ای تحت فشار جدار نازک، قطر خارجی 20 برابر ضخامت می‌باشد. اگر بیشینه تنش برشی

66 MPa باشد، مقدار فشار داخلی مخزن چند MPa است؟

$$13 \quad (2)$$

$$25 \quad (4)$$

$$12 \quad (1)$$

$$20 \quad (3)$$

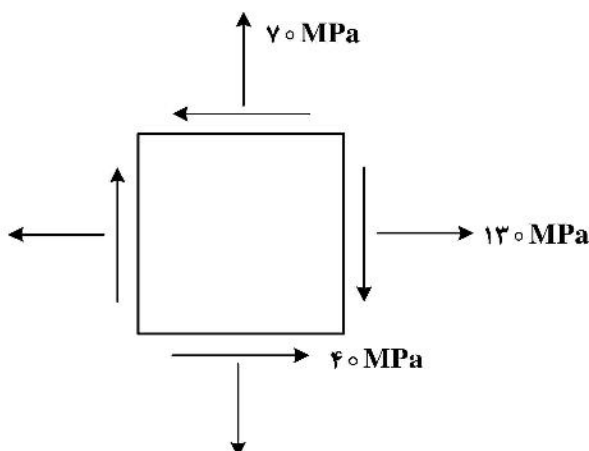
۸۰- در حالت تنش صفحه‌ای نشان داده شده تنش اصلی ماکزیمم چند مگاپاسکال است؟

$$50 \quad (1)$$

$$135 \quad (2)$$

$$150 \quad (3)$$

$$200 \quad (4)$$



طراحی اجزاء ماشین و طراحی ماشین‌های کشاورزی:

- ۸۱- مقدار قطر سیم مفتول یک فنر مارپیچ فشاری چند میلی‌متر باشد، تا بتواند بار استاتیکی ۴۵۰ نیوتن را با تنش ۴۵۰ مگاپاسکال تحمل کند؟ (شاخص فنری برابر ۶ است).

$$(1) \sqrt{\frac{52}{\pi}} \quad (2) \sqrt{\frac{104}{\pi}} \quad (3) \frac{52}{\pi} \quad (4) \frac{104}{\pi}$$

- ۸۲- در فنرهای فشاری مارپیچ اگر دو انتها سنگ خورده و جمع شده (Ground & Squared) باشند، تعداد حلقه‌های فعال کدام است؟ (N_t تعداد حلقه‌های کل فنر است).

$$(1) N_t - 1/5 \quad (2) N_t - 1 \quad (3) N_t - 2 \quad (4) N_t - 0/5$$

- ۸۳- اگر عمر دو گروه یاتاقان غلتشی که به ترتیب با نیروهای $\frac{F}{2}$ و F بارگذاری شده‌اند، برابر با L_1 و L_2 باشند، کدام مورد رابطه بین دو عمر را نشان می‌دهد؟

$$(1) L_2 = 2L_1 \quad (2) L_2 = \frac{1}{4}L_1 \quad (3) L_2 = \frac{1}{2}L_1 \quad (4) L_2 = \frac{1}{8}L_1$$

- ۸۴- کدام مورد درست است؟

- (۱) یاتاقان‌های غلتکی استوانه‌ای بار محوری بزرگی می‌گیرند.
 (۲) ضریب شعاعی و ضریب محوری به شکل هندسی یاتاقان بستگی دارند.
 (۳) اگر بار بلبرینگ به ۷۹٪ بار اولیه کاهش یابد، عمر انتظار آن دو برابر می‌شود.
 (۴) در مبحث یاتاقان‌های غلتکی بلبرینگ‌های شیار عمیق یک ردیفه فقط بار شعاعی را می‌توانند تحمل کنند.

- ۸۵- در صورت ثابت بودن عدد مشخصه یاتاقان، اگر نسبت $\frac{L}{D}$ یاتاقان افزایش یابد، کدام مورد کاهش می‌یابد؟

- (۱) دمای خروجی
 (۲) ضریب مالش
 (۳) کمترین ضخامت لایه روغن
 (۴) لقی شعاعی

- ۸۶- در یاتاقان‌های هیدرودینامیکی، افزایش دور محور موجب کدام مورد می‌شود؟

- (۱) بیشتر شدن دبی روغن در گردش و کاهش اصطکاک
 (۲) کاهش زاویه محل پارگی لایه روغن

- (۳) کاهش فشار هیدرودینامیک ماکزیمم یاتاقان

- (۴) افزایش سرعت حرکت روغن و کاهش ضخامت لایه روغن

- ۸۷- اگر در یک یاتاقان روغنی با تغذیه قطره‌ای، نیروی وارده و سرعت دورانی به‌طور همزمان دو برابر شوند، حداقل فاصله محور با دیواره چه تغییری می‌کند؟

- (۱) تغییر نمی‌کند. (۲) دو برابر می‌شود. (۳) نصف می‌شود. (۴) اندکی افزایش می‌یابد.

- ۸۸- کاهش زاویه فشار در چرخ‌دنده‌های ساده موجب کدام مورد می‌شود؟

- (۱) افزایش تعداد حدافل دندانه‌های چرخ‌دنده (۲) افزایش نسبت تماس

- (۳) کاهش نیروی مماسی (۴) کاهش نیروی شعاعی بر روی محور

- ۸۹- در یک پیچ حلزون دو راهه با گام محوری $\frac{1}{4}$ in و قطر گام پیچ حلزون برابر ۱ in، زاویه پیشروی حدود چند درجه است؟

$$(1) 10^\circ \quad (2) 15^\circ \quad (3) 20^\circ \quad (4) 25^\circ$$

۹۰- کدام عامل بر روی تغییر شکل زاویه‌ای شفت اثر مستقیم ندارد؟

- (۱) گشتاور اینرسی قطبی
(۲) مدول کشسانی برشی
(۳) ضریب تمرکز تنش
(۴) گشتاور پیچشی

۹۱- در کدام یک از شرایط، ماده‌ای که داکتیل است، همانند ماده ترد شکسته می‌شود؟

- (۱) بار ضربه در دمای بالا
(۲) بارگذاری ساده
(۳) بار ضربه در دمای پایین
(۴) بارگذاری استاتیک در دمای معمولی

۹۲- در کدام یک از تئوری‌های تخریب، ضریب پواسون به صورت مستقیم دخیل است؟

- (۱) تنش قائم ماکزیمم
(۲) تنش برشی ماکزیمم
(۳) انرژی آشفستگی ماکزیمم
(۴) انرژی کرنشی ماکزیمم

۹۳- با توجه به تانسور تنش زیر، σ_x ، σ_y و τ_{yz} به ترتیب چند مگاپاسکال است؟

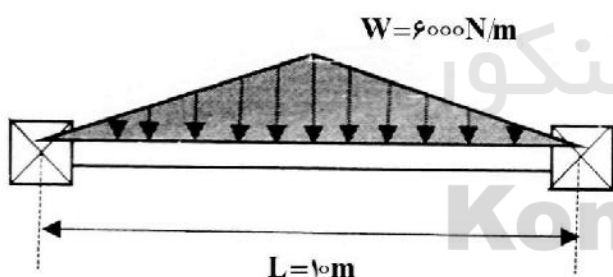
$$Q_{ij} = \begin{bmatrix} 55 & 25 & 15 \\ 27 & 60 & 30 \\ 20 & 35 & 85 \end{bmatrix} \text{MPa}$$

- (۱) ۵۵ و ۶۰ و ۳۰
(۲) ۲۷ و ۶۰ و ۱۵
(۳) ۶۰ و ۲۷ و ۵۵
(۴) ۲۰ و ۶۰ و ۱۵

۹۴- در یک فنر مارپیچ فشاری کدام مورد درست است؟

- (۱) با افزایش قطر حلقه‌های فنر (D)، ضریب فنریت (k) افزایش می‌یابد.
(۲) با افزایش قطر مفتول فنر (d)، ضریب فنریت (k) کاهش می‌یابد.
(۳) با افزایش تعداد حلقه‌های فعال، ضریب فنریت (k) کاهش می‌یابد.
(۴) با افزایش تعداد حلقه‌های فعال، ضریب فنریت (k) افزایش می‌یابد.

۹۵- سرعت بحرانی محور شکل زیر چند $\frac{\text{rad}}{\text{s}}$ است؟



$$g = 10 \frac{\text{m}}{\text{s}^2}$$

$$EI = 10^8 \text{ N.m}^2$$

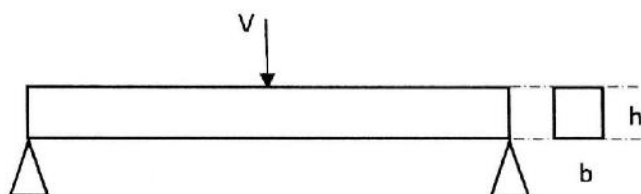
(۱) ۱۴

(۲) ۴۵

(۳) ۵۰

(۴) ۱۰۰

۹۶- تنش برشی حاصل از نیروی عمود بر محور اصلی تیر با مقطع مستطیلی زیر چند برابر $\frac{V}{bh}$ است؟



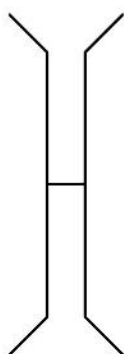
(۱) ۱

(۲) ۲

(۳) $\frac{3}{2}$

(۴) $\frac{4}{3}$

۹۷- در چرخ فشار دو قسمتی دقیق کارها، به منظور برقراری تماس بذر با خاک اعمال فشار به خاک توسط لبه‌های



کناری چرخ انجام می‌گیرد. لبه‌های کناری چرخ فشار شبیه به چه ابزاری عمل می‌کند؟

- (۱) عقب‌سو
- (۲) جلوسو
- (۳) عمودی
- (۴) زاویه‌دار

نمای از پشت چرخ فشار دو قسمتی

۹۸- اگر در حین عملیات وجین، عمق کار پنجه غازی ۷ سانتی‌متر باشد، این تیغه چه نوع ابزار خاک‌ورزی محسوب

می‌شود و برای نفوذ بهتر آن به داخل خاک، زاویه حمله آن باید چگونه باشد؟

- (۱) باریک - کوچک
- (۲) پهن - بزرگ
- (۳) پهن - کوچک
- (۴) باریک - بزرگ

۹۹- با افزودن باله به زیرشکن، کدام مورد کاهش پیدا می‌کند؟

- (۱) حجم خاک به هم خورده
- (۲) مقاومت کششی
- (۳) عمق بحرانی
- (۴) مقاومت ویژه

۱۰۰- یک دروگر دوار دارای ۴ تیغه در محیط بشقابی به قطر ۳۰ سانتی‌متر بوده و با سرعت دورانی ۱۸۰۰ دور در دقیقه کار

می‌کند. اگر طول تیغه‌ها برابر با ۲۰ میلی‌متر باشد، حداکثر سرعت پیشروی دروگر چند متر بر ثانیه می‌تواند باشد؟

- (۱) ۲/۴
- (۲) ۱/۲
- (۳) ۴/۸
- (۴) ۲

۱۰۱- رابطه قطر هیدرولیکی برای محاسبه جریان یک نوع بذر به قطر d از منفذ چهارگوش یک بذرافشان به ابعاد a و b

و ضریب ثابت k در کدام مورد آمده است؟

$$\frac{1}{2} \left[\frac{(a - kd)(b - kd)}{(a - kd) + (b - kd)} \right] \quad (۲) \quad \frac{1}{2} \left[\frac{(a + kd)(b + kd)}{(a + kd) + (b + kd)} \right] \quad (۱)$$

$$\frac{1}{2} \left[\frac{(a - kd)(b - kd)}{(a - kd) + (b - kd)} \right] \quad (۴) \quad \frac{1}{2} \left[\frac{(a + kd)(b + kd)}{(a + kd) + (b + kd)} \right] \quad (۳)$$

۱۰۲- یک ساقه زنده یونجه به قطر ۲ میلی‌متر در فاصله ۳۰ میلی‌متری از سطح زمین تحت بار افقی قرار گرفته است. اگر

مقاومت نهایی آن ۳۰ نیوتن بر میلی‌متر مربع باشد، مقدار نیروی افقی که سبب گسیختگی خمشی آن می‌شود چند

نیوتن است؟

$$\frac{\pi}{2} \quad (۲) \quad \pi \quad (۱)$$

$$1 \quad (۴) \quad \frac{\pi}{4} \quad (۳)$$

۱۰۳- زاویه اریب یک تیغه هنگامی که دروگر پیشروی ندارد 30° است. اگر سرعت نسبی شانه (سرعت تیغه نسبت به دروگر) برابر با ۴ متر بر ثانیه باشد، کمترین مقدار سرعت پیشروی که در آن ساقه از بریده شدن فرار نکنند، چند متر بر ثانیه است؟

(۱) $\frac{4\sqrt{3}}{3}$ (۲) $4\sqrt{3}$ (۳) $\frac{2\sqrt{3}}{3}$ (۴) $2\sqrt{3}$

۱۰۴- کدام ماشین خاک‌ورز برای مبارزه مکانیکی با علف‌های هرز ریزم‌دار چند ساله مناسب است؟

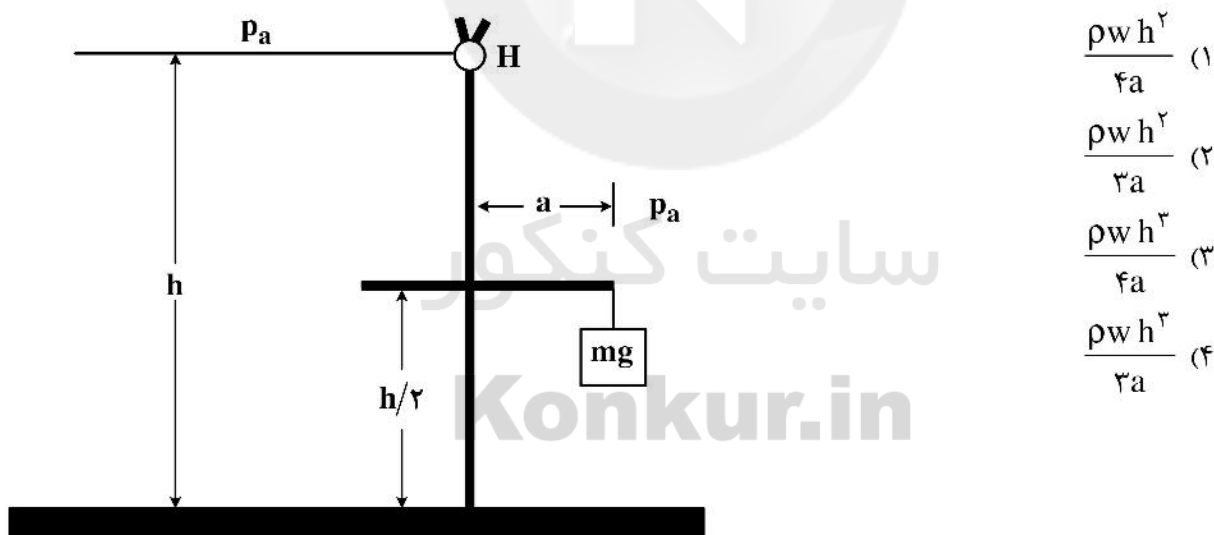
(۱) پنجه‌غازی (۲) گاواهن قلمی (۳) روتوتیلر (۴) کولتیواتور مزرعه‌ای

۱۰۵- نیروی فشردگی که پیستون در بسته‌بند مکعبی به بسته اعمال می‌کند، با افزایش پهناي بسته و افزایش ارتفاع بسته به ترتیب چگونه تغییر می‌کند؟

(۱) کاهش - افزایش
(۲) کاهش - کاهش
(۳) افزایش - افزایش
(۴) افزایش - کاهش

مکانیک سیالات و ترمودینامیک:

۱۰۶- دروازه‌ای به صورت عمودی و مستطیلی شکل به عرض w و ارتفاع h ، جلو آب را سد کرده است و توسط یک لولای بدون اصطکاک H حمایت می‌شود. در وسط دروازه، یک بازو به صورت افقی بیرون می‌آید و یک وزنه را در فاصله a از دروازه آویزان نگه می‌دارد و پایین دروازه روی یک توقف قرار دارد. فشار اتمسفر در همه جا عمل می‌کند. اگر از وزن دروازه و بازو صرف نظر شود، حداقل مقدار m لازم برای بسته نگه داشتن دروازه چقدر است؟



(۱) $\frac{\rho w h^2}{4a}$
(۲) $\frac{\rho w h^2}{3a}$
(۳) $\frac{\rho w h^3}{4a}$
(۴) $\frac{\rho w h^3}{3a}$

۱۰۷- مخزنی به حجم ۳ متر مکعب حاوی هوا در دمای 300 کلوین و فشار مطلق 150 کیلوپاسکال است. اگر دمای مخزن تا 400 کلوین افزایش پیدا کند، چند کیلوگرم هوا از مخزن باید خارج شود تا فشار ثابت باقی بماند؟ (ثابت هوا را

$300 \frac{J}{kg \cdot K}$ در نظر بگیرید.)

(۱) $1/25$ (۲) $2/5$
(۳) $3/75$ (۴) $5/5$

۱۰۸- آب با چگالی $\frac{1000 \text{ kg}}{\text{m}^3}$ و گرانروی مطلق 0.01 Pas از لوله‌ای به قطر 1 cm خارج می‌شود و داخل مخزنی

به حجم $1/57 \text{ m}^3$ می‌ریزد. بیشینه زمانی که طول می‌کشد، تا مخزن پر شود، با فرض آشفته بودن جریان داخل لوله، چند ثانیه است؟

- (۱) ۲۵۰۰
(۲) ۵۰۰۰
(۳) ۷۵۰۰
(۴) ۱۰۰۰۰

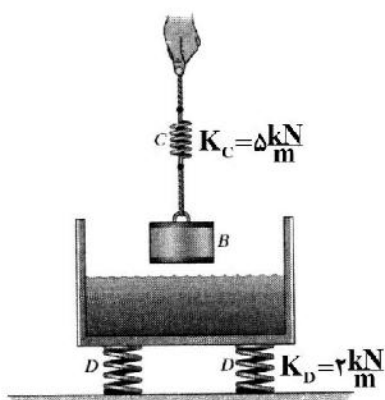
۱۰۹- در شکل نشان داده شده، جرم ظرف با آب ۲۰ کیلوگرم است. وزنه B به جرم ۳۰ کیلوگرم و چگالی ۶۰۰۰ کیلوگرم بر مترمکعب به‌طور کامل وارد ظرف آب می‌شود. تغییر طول کلی فنرهای C و D به ترتیب از راست به چپ یا برعکس چند میلی‌متر است؟ (شتاب گرانش را 10 m/s^2 متر بر مجذور ثانیه و چگالی آب را 1000 kg/m^3 کیلوگرم بر مترمکعب در نظر بگیرید.)

(۱) ۶۰ و ۱۲۵

(۲) ۶۰ و ۶۲/۵

(۳) ۵۰ و ۶۲/۵

(۴) ۵۰ و ۱۲۵



۱۱۰- جریان متلاطم سیال آب با لزجت $1 \times 10^{-6} \frac{\text{m}^2}{\text{s}}$ در یک لوله جریان دارد. اگر تنش برشی در جدار لوله برابر با

$10 \frac{\text{N}}{\text{m}^2}$ باشد، مقدار ضخامت زیرلایه آرام (Viscous sublayer) چند میلی‌متر است؟

سایت کنکور

(۲) ۰/۰۵

(۱) ۰/۰۱

(۴) ۰/۵

(۳) ۰/۱

۱۱۱- در یک جریان دو بعدی، تابع پتانسیل به صورت $\phi(x, y) = ax^2 - y^2$ داده شده است. مقدار a چقدر باشد، تا بتوان با استفاده از معادله برنولی اختلاف فشار بین هر دو نقطه دلخواه را به دست آورد؟

(۱) ۱

(۲) -۱

(۳) ۲

(۴) با استفاده از اطلاعات داده شده نمی‌توان مسئله را حل نمود.

۱۱۲- توزیع سرعت در لایه مرزی آرام روی یک صفحه تخت به صورت زیر می‌باشد. مقادیر C_1 ، C_2 و C_3 به ترتیب از راست به چپ چقدر هستند؟

$$\frac{u}{u_{\max}} = C_1 \left(\frac{y}{\delta}\right)^2 + C_2 \left(\frac{y}{\delta}\right) + C_3$$

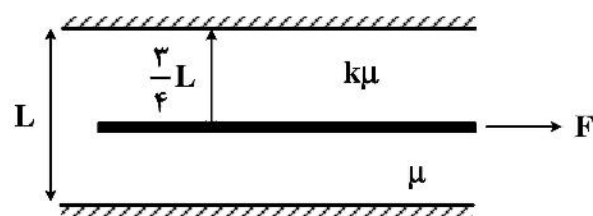
(۲) ۱, ۰, -۱

(۱) -۱, ۰, ۱

(۴) ۱, -۲, ۱

(۳) ۰, ۲, -۱

۱۱۳- صفحه نشان داده شده تحت اثر نیروی F با سرعت ثابت U در حال حرکت است. دو سیال با لزجت‌های $k\mu$ و μ توسط این صفحه نازک از یکدیگر جدا می‌شوند. مقدار k چقدر باشد تا نیروی F کمینه شود؟



(۱) ۹

(۲) ۳

(۳) $\frac{1}{9}$ (۴) $\frac{9}{16}$

۱۱۴- در زیر یک گنبد به شکل نیم‌کره به شعاع ۱ متر فشار هوای متراکم به مقدار ۲ بار وارد می‌شود. حداقل وزن گنبد برای آن که تحت تأثیر برآیند نیروهای فشاری قائم به طرف بالا بلند نشود، چند کیلونیوتن است؟ (g برابر ۱۰ متر بر مجذور ثانیه و هر بار 10^5 پاسکال است.)

(۱) 200π (۲) 100π (۳) 400π (۴) 300π

۱۱۵- هوا در یک لوله با سرعت یکنواخت $\vec{V} = \Delta t^2 \vec{i}$ جریان دارد، که در آن سرعت بر حسب متر بر ثانیه و t زمان بر حسب ثانیه هستند. بردار شتاب در زمان ۱ ثانیه، چند متر بر مجذور ثانیه است؟

(۱) $10\vec{i}$ (۲) 0 (۳) $5\vec{i}$ (۴) $20\vec{i}$

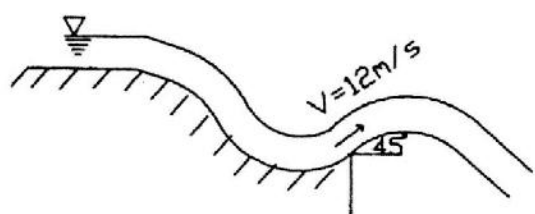
۱۱۶- یک جت آب از یک روزنه به قطر ۲۰ mm تحت بار ۱ m خارج می‌شود. اگر دبی واقعی در این روزنه ۱ لیتر بر ثانیه باشد، ضریب دبی این روزنه چقدر است؟ ($g = 10 \frac{m}{s^2}$)

(۱) $\frac{2\sqrt{5}}{\pi}$ (۲) $2\sqrt{5}\pi$ (۳) $\frac{\sqrt{5}}{\pi}$ (۴) $\sqrt{5}\pi$

۱۱۷- اگر دبی جریان آب در یک لوله $10 \frac{m^3}{s}$ و افت بار در یک طول ۱۰۰۰ متری از آن ۲۰ m باشد، نرخ انرژی تلف شده ناشی از اصطکاک در این لوله چند وات است؟ ($g = 10 \frac{m}{s}$)

(۱) 10^5 (۲) 2×10^5 (۳) 10^6 (۴) 2×10^6

۱۱۸- مطابق شکل آب از سرریزی جامی شکل با سرعت $12 \frac{m}{s}$ و زاویه 45° به هوا پرتاب می‌شود. با صرف نظر کردن از اصطکاک هوا بر روی حرکت جت، ماکزیمم ارتفاعی که جت بالا می‌رود، چند متر است؟ ($g = 10 \frac{m}{s}$)



(۱) ۳

(۲) $3/6$

(۳) ۷

(۴) $7/2$

۱۱۹- یک موتور گرمایی، حرارت را از یک منبع با دمای 627°C دریافت می‌کند و مقداری از آن را به منبع سرد با دمای 27°C می‌دهد. اگر نرخ انتقال حرارت به موتور $60 \frac{\text{kJ}}{\text{s}}$ باشد، بیشترین قدرت تولیدی این موتور چند کیلوژول بر

ثانیه است؟

(۲) ۳۰

(۱) ۲۰

(۴) ۵۰

(۳) ۴۰

۱۲۰- برای گازی با معادله حالت $P(V-b) = RT$ ، کدام گزینه تفاوت گرمای ویژه $(C_p - C_v)$ را نشان می‌دهد؟

(۲) $R - b$

(۱) R

(۴) $R(1 + \frac{V}{b})$

(۳) $R + b$

۱۲۱- گاز ایدئالی با ثابت $R = 0.3 \frac{\text{kJ}}{\text{kg}\cdot\text{K}}$ و گرمای ویژه در حجم ثابت $C_v = 0.7 \frac{\text{kJ}}{\text{kg}\cdot\text{K}}$ وجود دارد. اگر دمای آن 100°C تغییر یابد، تغییرات آنتالپی و انرژی داخلی به ترتیب از راست به چپ چند کیلوژول بر کیلوگرم کلین خواهد بود؟

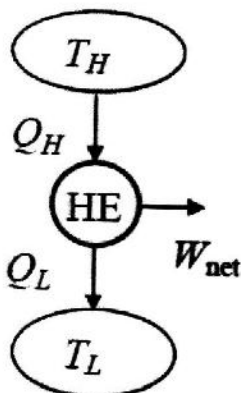
(۲) ۳۰، ۱۰۰

(۱) ۷۰، ۳۰

(۴) ۷۰، ۱۰۰

(۳) ۱۰۰، ۷۰

۱۲۲- در ماشین حرارتی نشان داده شده، اگر برگشت‌ناپذیری ماشین برابر $S_{\text{gen}} = \frac{Q_H}{2T_L}$ باشد، بازده حرارتی برابر



کدام است؟

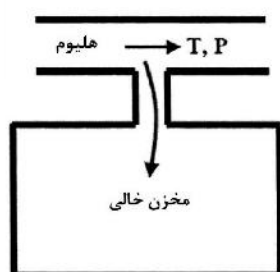
(۱) $1 - \frac{T_L}{2T_H}$

(۲) $1 - \frac{T_L}{T_H}$

(۳) $2 - \frac{T_L}{T_H}$

(۴) $1 - \frac{T_L}{3T_H}$

۱۲۳- مطابق شکل گاز هلیوم از یک خط لوله با دمای T و فشار P به داخل یک مخزن خالی جریان پیدا می‌کند. دمای نهایی

گاز هلیوم داخل مخزن کدام است؟ (C_p و C_v به ترتیب ظرفیت گرمایی ویژه در فشار و حجم ثابت هستند).

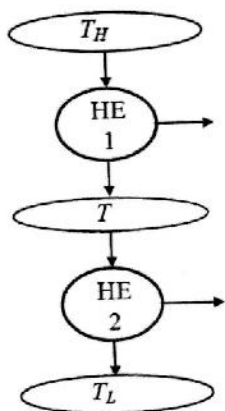
(۱) $(C_p - C_v)T$

(۲) $(C_v + C_p)T$

(۳) $\frac{C_p}{C_v}T$

(۴) $\frac{C_v}{C_p}T$

۱۲۴- دو ماشین حرارتی برگشت پذیر یکسان مطابق شکل روبه‌رو به هم متصل هستند. ضریب عملکرد آنها کدام است؟



$$1 - \left(\frac{T_H}{T_L}\right)^2 \quad (1)$$

$$1 - \sqrt{\frac{T_L}{T_H}} \quad (2)$$

$$1 - \sqrt{\frac{T_H}{T_L}} \quad (3)$$

$$1 - \left(\frac{T_L}{T_H}\right)^2 \quad (4)$$

۱۲۵- آیا ممکن است یک موتور حرارتی ساخت که بین دو دمای 800 K و 300 K کار کرده و مقدار گرمای گرفته شده از

منبع گرم 500 kJ ، گرمای داده شده به منبع سرد $187/5\text{ kJ}$ و کار انجام شده توسط این موتور 200 kJ باشد؟

(۱) ممکن است.

(۲) ممکن نیست، زیرا قانون اول ترمودینامیک را نقض می‌کند.

(۳) ممکن نیست، زیرا قانون دوم ترمودینامیک را نقض می‌کند.

(۴) ممکن نیست، زیرا هر دو قانون اول و دوم ترمودینامیک را نقض می‌کند.

۱۲۶- خمیرگیری 50 کیلوگرم خمیر 25 درجه سلسیوس را با موتور هم زنی به قدرت 750 کیلووات برای مدت 20 دقیقه

به هم می‌زند. در این فاصله انرژی حرارتی برابر با 300 کیلوژول از ظرف خمیر دفع می‌شود. اگر ظرفیت گرمای ویژه

خمیر $0/8$ کیلوژول بر کیلوگرم سلسیوس باشد، دمای نهایی خمیر چند درجه سلسیوس است؟

$$17 \quad (1)$$

$$22/5 \quad (2)$$

$$27/5 \quad (3)$$

$$40 \quad (4)$$

۱۲۷- گاز ایدئالی در یک سیلندر که دمای آن ثابت نگه داشته می‌شود، متراکم می‌شود. کار لازم برای نصف کردن حجم گاز برابر

با W_A و کار لازم برای تقلیل حجم گاز به یک هشتم مقدار اولیه برابر با W_B می‌باشد. نسبت $\frac{W_A}{W_B}$ چقدر است؟

$$\frac{1}{3} \quad (1)$$

$$\frac{1}{2} \quad (2)$$

$$\frac{1}{8} \quad (3)$$

$$\frac{1}{4} \quad (4)$$

۱۲۸- یک سیلندر دارای پیستون حاوی مقداری گاز است. این گاز به‌طور برگشت پذیر طبق معادله $P(v-b) = \text{constant}$

انبساط می‌یابد، که در آن b مقداری ثابت است. کار انجام یافته در تغییر حجم از v_1 به v_2 چقدر است؟

$$P_2(v_1 - b) \ln \frac{v_2 - b}{v_1 - b} \quad (1)$$

$$P_2(v_2 - b) \ln \frac{v_2 - b}{v_1 - b} \quad (2)$$

$$P_1(v_1 - b) \ln \frac{v_1 - b}{v_2 - b} \quad (3)$$

$$P_1(v_2 - b) \ln \frac{v_2 - b}{v_1 - b} \quad (4)$$

۱۲۹- کدام مورد درست است؟

(۱) تولید انترופی همواره مثبت است.

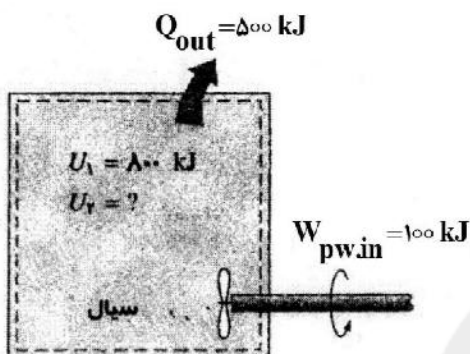
(۲) انتگرال بسته کار و حجم برابر صفر است.

(۳) امکان منفی شدن تغییرات انترופی در یک سیستم وجود دارد.

(۴) انترופی یک سیستم در صورتی که فرایند بازگشت پذیر باشد، افزایش می‌یابد.

۱۳۰- مطابق شکل یک مخزن صلب حاوی سیال داغ، در حال خنک شدن است و در این میان پروانه یک همزن نیز داخل سیال

در حال چرخش است. در ابتدا انرژی داخلی سیال ۸۰۰ kJ است. انرژی داخلی نهایی سیال چند کیلوژول است؟



(۱) ۴۰۰

(۲) ۵۰۰

(۳) ۶۰۰

(۴) ۷۰۰

ابزار اندازه‌گیری:

۱۳۱- کدام گزینه صحیح است؟

(۱) سیگنال‌های آنالوگ معمولاً دقیق‌تر از سیگنال‌های دیجیتال هستند. بنابراین برای مقاصد انتقال سیگنال ترجیح داده می‌شوند.

(۲) تمایل یا سوگیری (بایاس) ابزار اندازه‌گیری به خطاهای تصادفی در اندازه‌گیری اشاره دارد.

(۳) قابلیت تولید مجدد و ثبات عباراتی هستند که به بهترین نحو، دقت اندازه‌گیری را توصیف می‌کنند.

(۴) یک سامانه اندازه‌گیری مرتبه اول دارای ثابت زمانی τ به یک سیگنال گذرا با مدت T متصل می‌شود. خروجی به مقدار نزدیکی مطابق با ورودی خواهد بود اگر $T \ll \tau$ باشد.

۱۳۲- یک مبدل خازنی $\left(C = \frac{\epsilon A}{3.6\pi d} \right)$ ، دارای دو صفحه به مساحت 5 cm^2 است، که توسط یک فاصله هوایی به

ضخامت 1 mm از هم جدا شده‌اند. حساسیت جابه‌جایی مبدل به واسطه تغییر در فاصله هوایی چند $\frac{F}{\text{cm}}$ است؟

(A) مساحت، d فاصله صفحات و ϵ ضریب مبدل که برای هوا برابر ۱ است.)

$$(۱) \quad -\frac{500}{3.6\pi}$$

$$(۲) \quad -\frac{5}{3.6\pi}$$

$$(۳) \quad -\frac{5 \times 10^{-10}}{3.6\pi}$$

$$(۴) \quad -\frac{5 \times 10^{-12}}{3.6\pi}$$

۱۳۳- کدام گزینه، بیانگر انحراف تدریجی خروجی ابزار اندازه‌گیری از مقدار واسنجی شده است؟

(۱) خطای راندگی یا انتقال

(۲) خطای پس‌زنی

(۳) خطای نسبی

(۴) خطای پس‌ماند

۱۳۴- کدام ابزارهای اندازه‌گیری از نوع خود مولد هستند؟

- (۱) پل کرنش‌سنج‌های مقاومتی
 (۲) پیتوتیوب و LVDT
 (۳) سرعت‌سنج یک اتومبیل و پیتوتیوب
 (۴) سرعت‌سنج یک اتومبیل و LVDT
 ۱۳۵- کدام گیج فشار برای اندازه‌گیری خلاء کمتر از ۱ میکرون استفاده می‌شود؟
 (۱) Kundsens
 (۲) Pirani
 (۳) Ionization
 (۴) McLeod

۱۳۶- در ساخت کدام حسگر حرارتی از مواد نیمه‌رسانا استفاده می‌شود؟

- (۱) ترموکوپل
 (۲) کاوشگر حرارتی - مقاومتی
 (۳) ترمیستور
 (۴) RTD

۱۳۷- کدام ابزار اندازه‌گیری دارای خروجی خنثی است؟

- (۱) نورسنج دوربین
 (۲) ماشین توزین شانه‌ای
 (۳) مانومتر جیوه‌ای
 (۴) گیج فشار بردون

۱۳۸- یک میلی‌ولت متر دارای محدوده ۰ تا ۱۰۰۰ میلی‌ولت و دقت ۵٪ انحراف از مقیاس کامل (FSD) است. اگر ولتاژ

ورودی به این ولت متر ۴۰۰ میلی‌ولت باشد، خروجی آن چند میلی‌ولت خواهد بود؟

(۱) ۳۹۸

(۲) ۴۰۲

(۳) بین ۳۹۸ و ۴۰۲

(۴) بین ۳۹۵ و ۴۰۵

۱۳۹- خطای صفر یک زیرسنج جزو کدام دسته از خطاها است؟

- (۱) تصادفی - ابزاری
 (۲) تجمعی - ابزاری
 (۳) تصادفی - بارگذاری
 (۴) تجمعی - بارگذاری

۱۴۰- در صورتی که $Z = 3X$ باشد، عدم قطعیت Z چه رابطه‌ای با عدم قطعیت X دارد؟

(۱) $u(Z) = 3u(X)$

(۲) $u(Z) = \sqrt{3} u(X)$

(۳) $u(Z) = u(X)$

(۴) $u(Z) = 9u(X)$

۱۴۱- یک گیج فشار بردون با کالیبراسیون خطی، یک نشانگر به طول ۵۰ میلی‌متر دارد، که روی یک صفحه مدرج

دایروی به کمان 27° درجه حرکت می‌کند. این فشارسنج محدوده فشار ۰ تا ۱۵ بار را نشان می‌دهد. حساسیت

گیج چند میلی‌متر بر بار است؟

(۱) 5π

(۲) ۵

(۳) 3π

(۴) ۳

۱۴۲- واسنجی (کالیبراسیون) ابزار اندازه‌گیری برای به حساب آوردن کدام خطا انجام می‌شود؟

- (۱) تجمعی و تصادفی
 (۲) انسانی
 (۳) تصادفی
 (۴) سیستماتیک یا تجمعی

۱۴۳- کدام گزینه صحیح است؟

- (۱) در یک پل وتستون اگر دو بازوی مجاور دارای کرنش با ماهیت یکسان باشند، خروجی پل بهبود پیدا می‌کند.
- (۲) برای اندازه‌گیری‌های استاتیکی با استفاده از کرنش‌سنج‌های مقاومتی، جبران دمایی نیاز نیست.
- (۳) یک مبدل پیروالکترونیک نمی‌تواند برای اندازه‌گیری متغیرهای استاتیکی استفاده شود.
- (۴) LVDT یک مبدل از نوع خود مولد است.

۱۴۴- کدام روش‌ها، جبران خطای حاصل از دمای محیط به هنگام استفاده از ترموکوپل را به دنبال دارند؟

- (۱) تعبیه حمام بخار و یا تعبیه پل ربع وتستون مجهز به RTD
- (۲) تعبیه حمام یخ و یا تعبیه پل وتستون مجهز به RTD
- (۳) تعبیه حمام بخار و یا تعبیه پل وتستون مجهز به RTD
- (۴) تعبیه حمام یخ و یا تعبیه پل نیمه وتستون مجهز به RTD

۱۴۵- برای اندازه‌گیری مؤلفه افقی نیروی کشش بین دو دستگاه تراکتور از یک بارسنج استفاده می‌شود. چنانچه بارسنج دارای پل وتستون کامل بوده و ولتاژ تحریک مدار ۱۲ ولت، ضریب حساسیت کرنش‌سنج‌ها ۲ و مقدار کرنش برای بار ۱۰ نیوتن برابر 0.001 باشد، ولتاژ خروجی برای این بار چند میلی‌ولت خواهد بود؟ (ضریب ارتقای سیگنال برای پل کامل را ۲٫۵ در نظر بگیرید.)

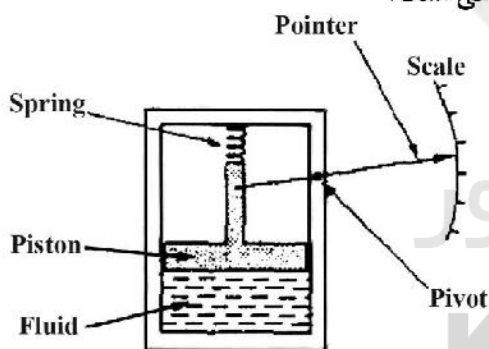
(۱) ۱۰

(۲) ۱۲

(۳) ۱۵

(۴) ۲۴

۱۴۶- ابزار نشان‌دهنده کدام کمیت فیزیکی را اندازه‌گیری می‌کند و از چه نوعی است؟



(۱) دبی‌سنج - فعال

(۲) فشارسنج - غیرفعال

(۳) دماسنج - غیرفعال

(۴) فشارسنج - فعال

۱۴۷- در اندازه‌گیری مقدار وزن قطعه‌ای در ۱۰ تکرار، مقادیر بیشینه، کمینه و میانگین به ترتیب برابر ۴۸، ۵۵ و ۵۲ نیوتن به دست آمد. اگر وزن واقعی ۵۰ نیوتن باشد، درصد خطای دقت (Accuracy)، صحت (Precision) و تنظیم (Regulation) این ترازو از راست به چپ به ترتیب چقدر است؟

(۱) ۴، ۸، ۱۰

(۲) ۱۰، ۸، ۵

(۳) ۸، ۱۰، ۴

(۴) ۸، ۱۰، ۵

۱۴۸- اگر ولتاژ به دست آمده از نیروی ۲ نیوتنی وارده به سطح کریستالی یک پیزوالکتریک به مساحت ۱۰۰ میلی‌متر مربع و ضخامت ۱ میلی‌متر برابر ۲۸ میلی‌ولت باشد، ثابت پیزوالکتریک (بر حسب $V.m/N$) چقدر است؟

(۱) 0.7×10^{-3}

(۲) 1.4×10^{-3}

(۳) 2.8×10^{-3}

(۴) 5.4×10^{-3}

۱۴۹- افزایش دما و رطوبت به ترتیب چه تأثیری بر سرعت صوت سنسورهای التراسونیک در هوا دارند و تأثیر کدام بیشتر است؟

(۱) افزایش، کاهش - رطوبت

(۲) کاهش، افزایش - دما

(۳) افزایش، افزایش - رطوبت

(۴) افزایش، افزایش - دما

۱۵۰- کدام گزینه ترانس است؟

(۱) بیشینه اختلاف از مقدار میانگین

(۲) بیشینه پراکندگی از مقدار توصیه شده

(۳) خطای مجاز اندازه‌گیری

(۴) بیشینه اختلاف از مقدار واقعی

۱۵۱- داده‌های به دست آمده از یک دماسنج مقاومتی در جدول زیر آورده شده است. حساسیت این دماسنج چقدر است؟

Resistance (Ω)	Temperature ($^{\circ}C$)
۳۰۷	۲۰۰
۳۱۴	۲۳۰
۳۲۱	۲۶۰

(۱) $\frac{317.5}{245}$

(۲) $\frac{245}{317.5}$

(۳) $\frac{7}{30}$

(۴) $\frac{30}{7}$

۱۵۲- سطح آستانه یک وسیله اندازه‌گیری کدام است؟

(۱) بیشترین مقدار ورودی به دستگاه اندازه‌گیر است.

(۲) کمترین مقدار ورودی به دستگاه اندازه‌گیر است.

(۳) حداقل سطح ورودی که برای دستگاه قابل قرائت و اندازه‌گیری است.

(۴) بیشترین مقدار کمیت مورد اندازه‌گیری که برای دستگاه قابل اندازه‌گیری است.

۱۵۳- حساسیت ولتاژی کدام ترموکوپل‌ها، بیشتر است؟

(۱) Iron - Constantan

(۲) Platinum/13Rhodium - Platinum

(۳) Chromel - Constantan

(۴) Chromel - Alumel

۱۵۴- در دماسنج اکوستیک (Acoustic thermometers) از چه اصلی برای اندازه‌گیری دما استفاده شده است و

رابطه آن با دما به چه صورت است؟

(۱) افزایش سرعت صوت در اثر افزایش دما - درجه دو

(۲) کاهش سرعت صوت در اثر افزایش دما - درجه دو

(۳) افزایش سرعت صوت در اثر افزایش دما - خطی

(۴) کاهش سرعت صوت در اثر افزایش دما - خطی

- ۱۵۵- دو نوع خطا که باعث تغییر در خروجی ابزار اندازه‌گیری به‌ازای یک ورودی معلوم به واسطه تغییر در حساسیت ابزار به ورودی‌های مداخله‌گر مثل تغییر دما می‌شوند، کدام موارد هستند؟
- (۱) محیطی و حساسیت مضاعف
(۲) پس‌ماند و حساسیت مضاعف
(۳) ابزاری و محیطی
(۴) انتقال صفر و انتقال حساسیت



سایت کنکور

Konkur.in



سایت کنکور

Konkur.in



سایت کنکور

Konkur.in